

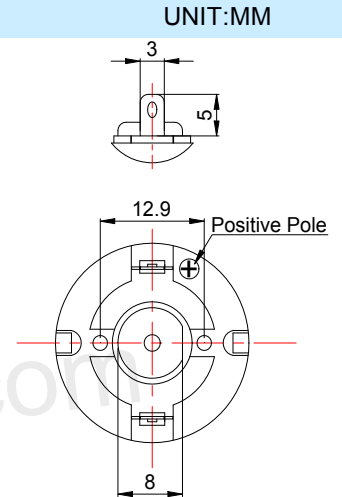
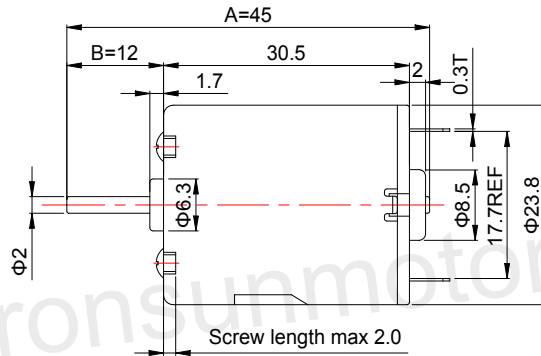
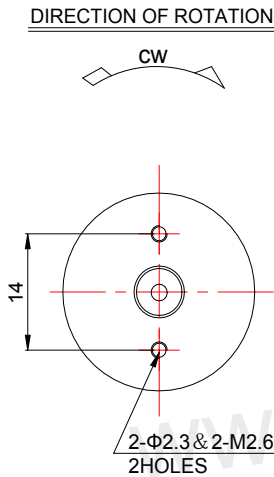
输出功率: 约1.0~12.0W  
普通金属电刷马达/碳刷马达

典型应用: 电动玩具  
无线控制模型  
家用电器

OUTPUT:APPROX 1.0~12.0W  
Metal-brush Motors/Cabron-brush Motors

Typical Applications: Electric Toys  
Wireless Control Model  
Household Appliances

## 1.OUTLINE DRAWING:

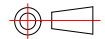


Customizable Parameters:

1. Length A and B
2. Electric Performance
3. Direction of Rotation
4. Eccentric Wheel is available

WEIGHT: 42g(Approx)

View:



## 2.MOTOR PERFORMANCE :

MODEL	VOLTAGE		NO LOAD		AT MAXIMUM EFFICIENCY				STALL			
	OPERATING RANGE	NOMINAL V	SPEED rpm	CURRENT A	SPEED rpm	CURRENT A	TORQUE g.cm	TORQUE mN.m	OUTPUT W	TORQUE g.cm	TORQUE mN.m	CURRENT A
RC-280SA-2865	2.5~7.0	6.0	14000	0.28	11901	1.59	45.9	4.50	5.60	306	30.03	9.00
RC-280SA-20120	3.0~10.0	9.0	11300	0.14	9538	0.76	41.3	4.05	4.04	265	26.01	4.10
RC-280SA-18150	3.0~13.0	12.0	12400	0.11	10562	0.61	44.5	4.37	4.82	280	27.48	3.50

